

HOT WATER COOL WALLET

Pressurized Solar Flat Plate water heaters from Venus that can handle higher pressures for domestic and commercial requirements.



5
BARS
PRESSURE

5 YEARS
GUARANTEE




- Maximum performance
- Zero maintenance
- Compact shape and size



VENUS SOLAR WATER HEATER

Venus solar water heaters are sensible water heaters that don't use the electricity when it is hot and sunny outside. It harnesses the power of the sun and uses it to the maximum to give you warm water when you need it. Get one today and you will realize that it's the best solar water heater available.

FEATURES

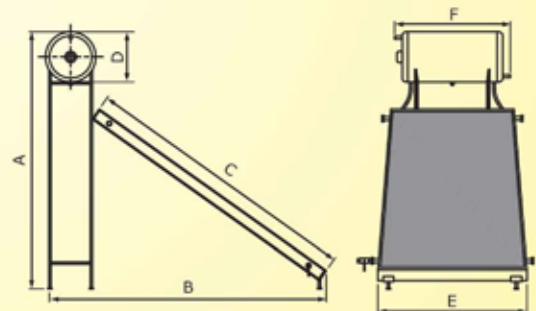
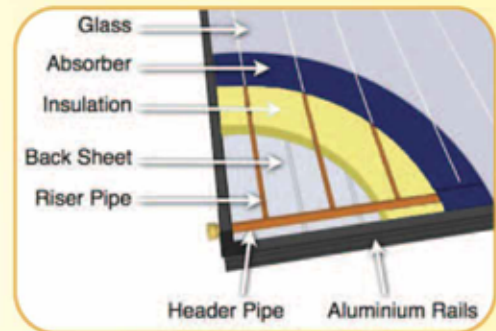
	Superior corrosion resistant Epoxy coated Inner tank		Extra thick 5cm PUF insulation for minimum heat loss
	Long life corrosion proof Pre coated outer cladding		Backup electric heating element for cold rainy days (optional)
	Powder coated MS stand - sturdy and rust resistant		Pressure pump compatible 5 bar pressure rating
	Flat plate collector with copper fins coated in black for maximum absorption of solar radiation and effective heat transfer		

Description	100SFEPR	200SFEPR				
Capacity	100 LPD	200 LPD				
FP Collector	1 no	2 no				
Safety Devices	Thermostat	Thermostat				
Pipe Connection	1"	1"				
Rated Working Pressure	5 bar (5 kg/cm ²)	5 bar (5 kg/cm ²)				
Daily Usage	4 Persons	8 Persons				
Maximum No. of Outlets	2 nos	4 nos				
Guarantee	5 years	5 years				
Dimension (in mm)						
Model	A	B	C	D	E	F
100 Ltrs	1730	2300	2030	460	1030	1100
200 Ltrs	1820	2300	2030	550	2060	1250

Higher Capacity models are also available (500 LPD, 1000 LPD etc.)

Non Pressure VTC models are also available.

* Refer "Terms & Conditions" in User Manual.



MODTECH ENGINEERING

MODTECH ENGINEERING
(Distributor of South Kerala)

TC 3/ 2230(3), Shalom Building
First Floor, Opp. Spencers Daily,
Pattom, Trivandrum - 695004

Mob. +91 740 311 8800, +91 944 402 2731